

# Solar Tracking Bracket Bearings

太阳能跟踪支架轴承

QBF2

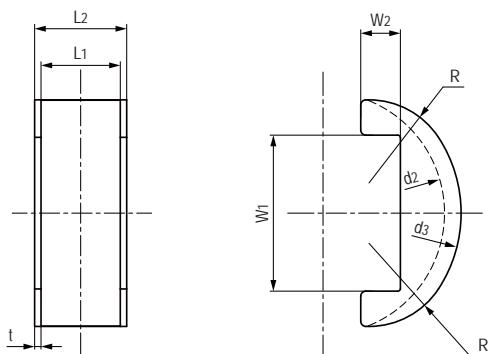
## QBF2双法兰光伏支架轴承 PV Support bracket bearings



### 产品特性 Product features

- 双法兰设计塑料轴承
  - 户外耐紫外线老化
  - 耐高低温湿热老化
  - 低摩擦，耐磨损
  - 自润滑、免维护
  - 高强度、易安装
- Double flange design plastic bearings
  - UV resistance
  - High and low temperature, damp-heat aging
  - Low friction, wear resistance
  - Self lubricating, maintenance-free
  - High strength, easy installation

### 标准规格 Standard specifications



产品编码 Part No.:

QBF2-120190-060

长度 Length

外径 Outer diameter

内宽 Inner width

产品编码 Part No.	W1 [mm]	d2 [mm]	d3 [mm]	L1 [mm]	t [mm]	W2 [mm]	L2 [mm]	R [mm]
QBF2-120190-060	122	190	216	62	5	31	72	65
QBF2-140210-060	142	210	234	62	5	36	72	65
QBF2-150226-060	151	226	250	60	5	55	70	90
QBF2-170255-070	171	255	275	70	5	65	80	110

www.csb-ep.com  
sales@csb-ep.com

电话: 0573 84186133/84185527  
Tel: 0086 573 84187009

QBF2

Plastic Plain Bearings